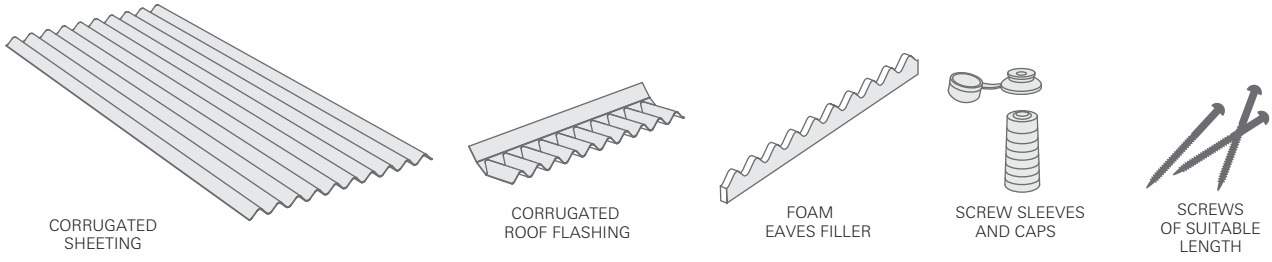


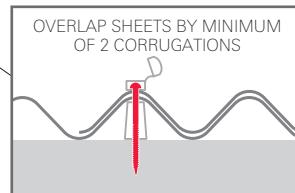
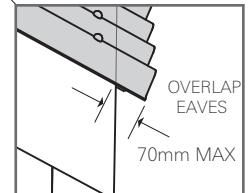
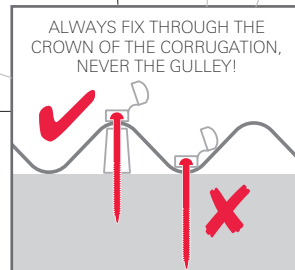
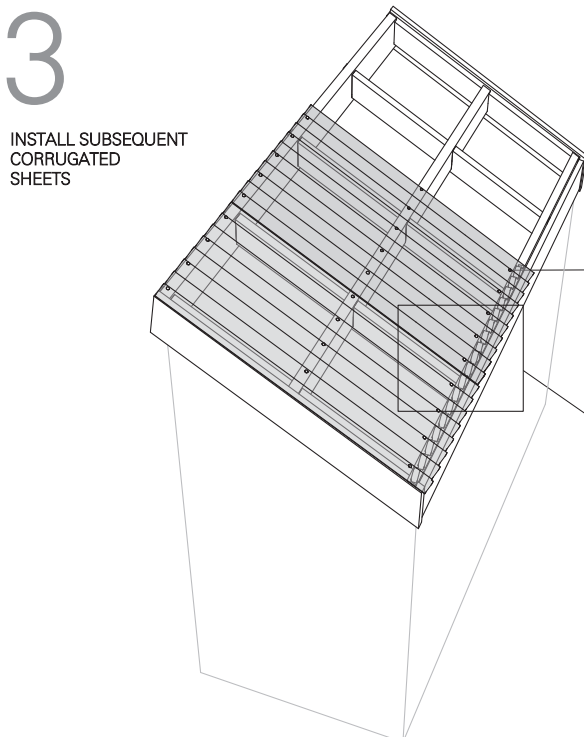
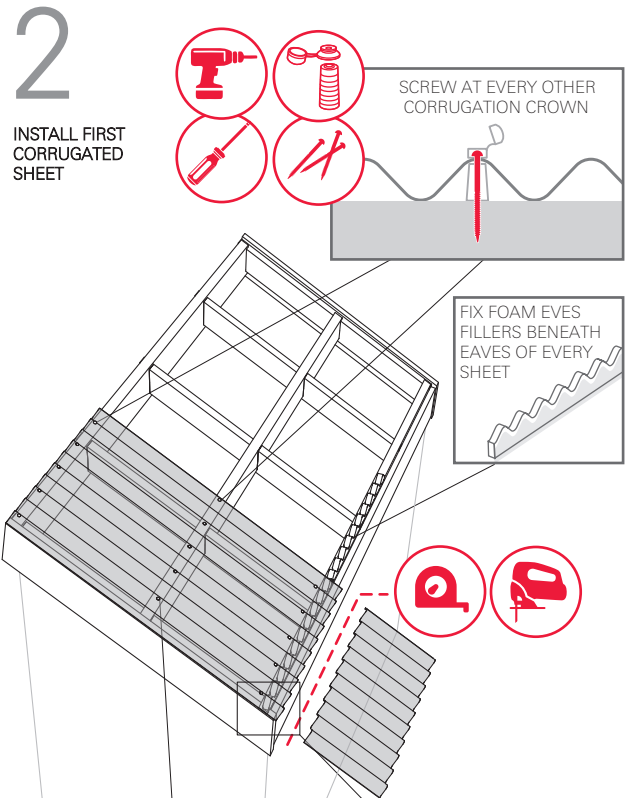
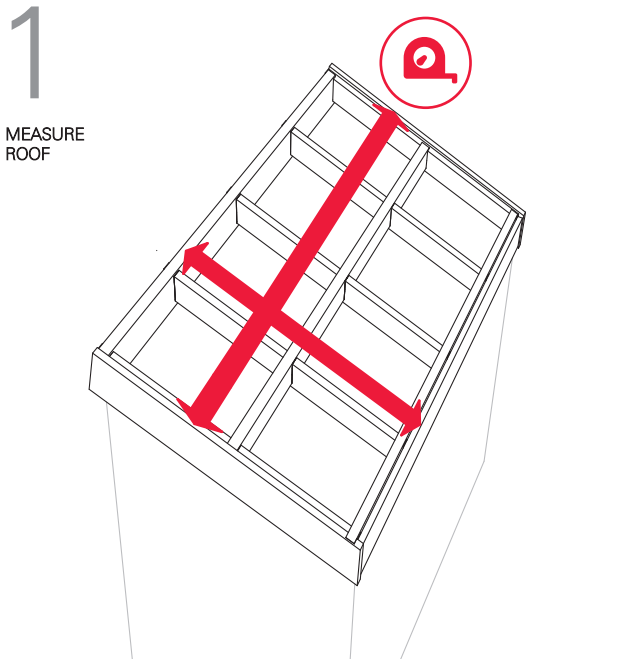
COMPONENTS REQUIRED



TOOLS REQUIRED



INSTALLATION

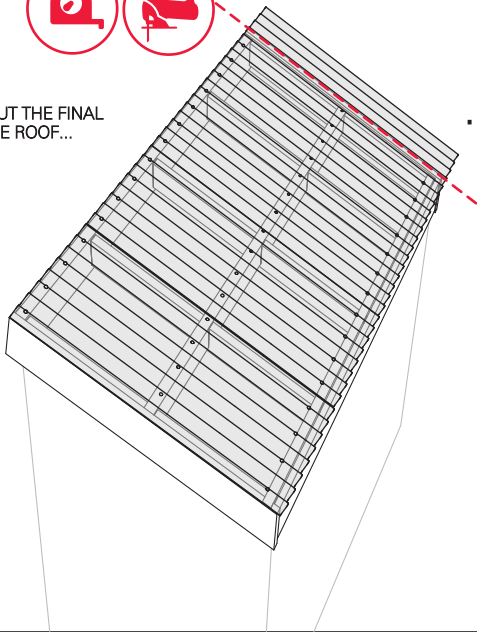


INSTALLATION

4

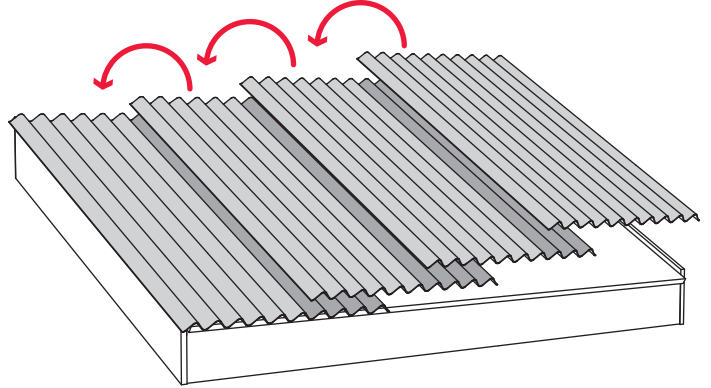


MEASURE AND CUT THE FINAL SHEET TO FIT THE ROOF...



...OR...

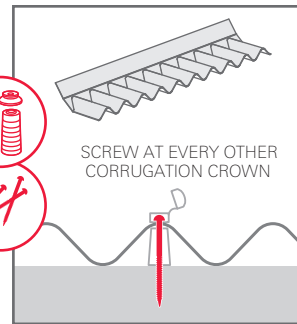
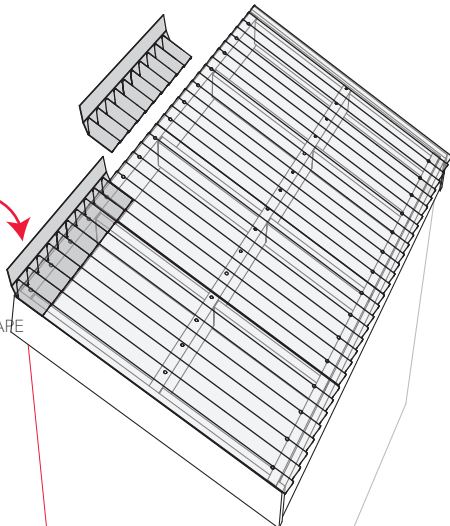
...AVOID THE NECESSITY FOR VERTICAL CUTS BY OVERLAPPING ROOF SHEETS BY MORE THAN 2 CORRUGATIONS TO EXACTLY MATCH THE ROOF DIMENSION



5

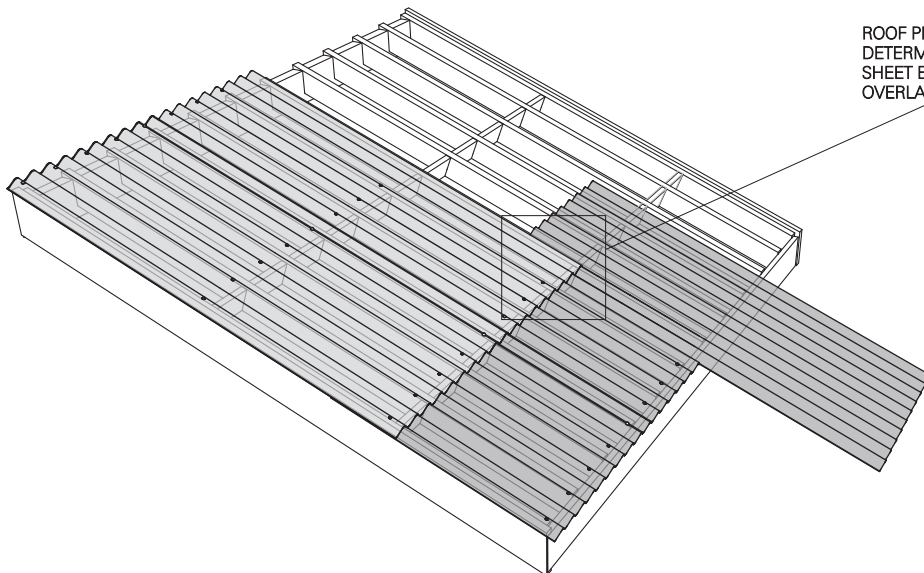
INSTALL CORRUGATED ROOF FLASHING

SEAL TO WALL WITH FLASHING TAPE OR SUITABLE SILICON SEALANT



SCREW AT EVERY OTHER CORRUGATION CROWN

INSTALLATION ON LARGER ROOFS



ROOF PITCH DETERMINES SHEET END OVERLAP

